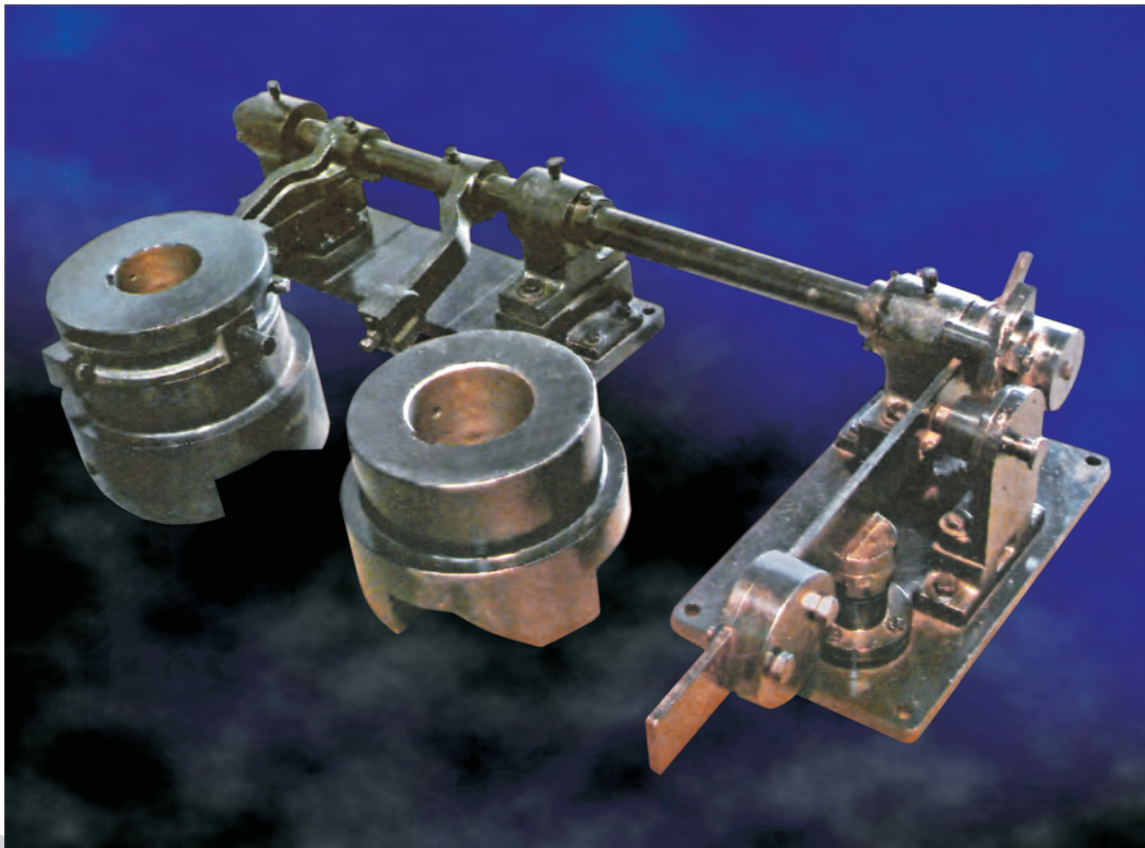


# ELECON PERIPHERALS LTD.

(Elecon Group of Companies)

## OVER RIDING SPIRAL JAW CLUTCH COUPLING



### **ELECON PERIPHERALS LTD.**

Post Box # 43, Anand-Sojitra Road,  
Vallabh Vidyanagar - 388 120.

Gujarat, India.

Phones : +91 (2692) 227960, 227971, 227972

Fax : +91 (2692) 236508

E-mail : [info@epl.elecon.com](mailto:info@epl.elecon.com)

"EPL" make Over Riding type Spiral Jaw Clutch includes a Fix half coupling, a Sliding-half coupling and a Operating mechanism.

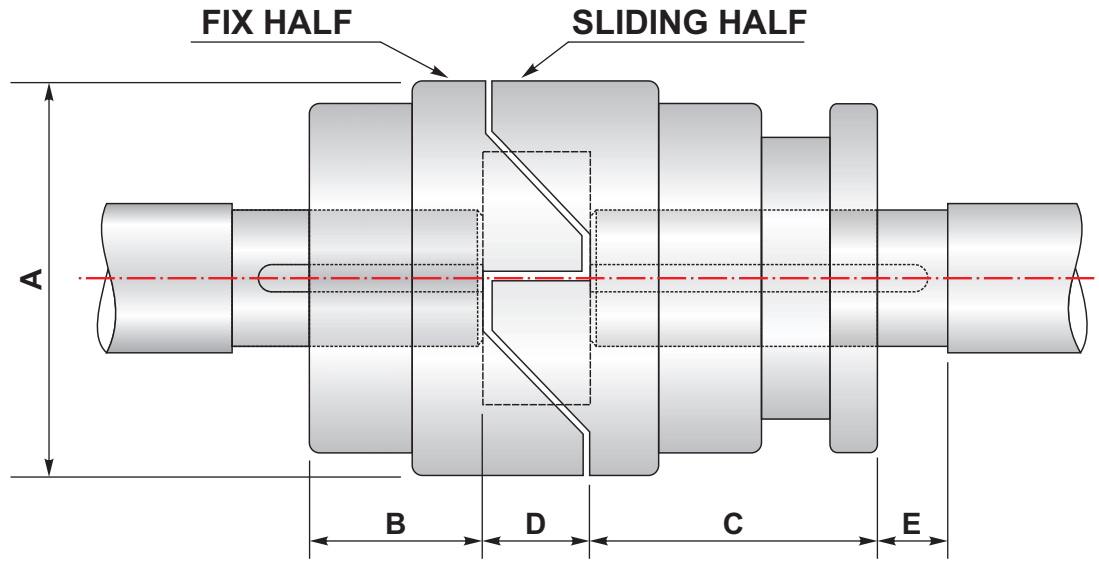
Jaw clutches are used for moderate speeds where a relatively inexpensive device is required for positively connecting or disconnecting two rotating components and disengagements are not too frequent. For example, transmitting power from an Auxilliary Drive Shaft at low speed with high torque to start up a system (Main drive) from rest. When the equipment has built up it's inertia and is in operation, the Main Drive is started up at a higher speed in the same direction of rotation. Due to the difference in the relative speeds of the two coupling halves, the sliding half slides back moving away on its shaft and in the process the fixed half over rides the sliding half.

Spiral jaw clutch couplings are made either right or left hand. A right hand clutch drives when turning clockwise as viewed from the plain end of the driving half. Spiral jaws permit shifting more readily, and are sometimes used where the clutch must be engaged or disengaged when in motion. Such applications should be limited to low speeds and moderate loads. Spiral jaws will transmit power in one direction only and are furnished right or left hand, as per requirement.

Jaw clutches and jaw clutch couplings are available in cast iron or cast steel, the jaws are fully machined having special profile on its working surface. Cast steel jaw clutches are used in case of heavy duty operations or in case of space limitation, by adopting bigger size clutch.

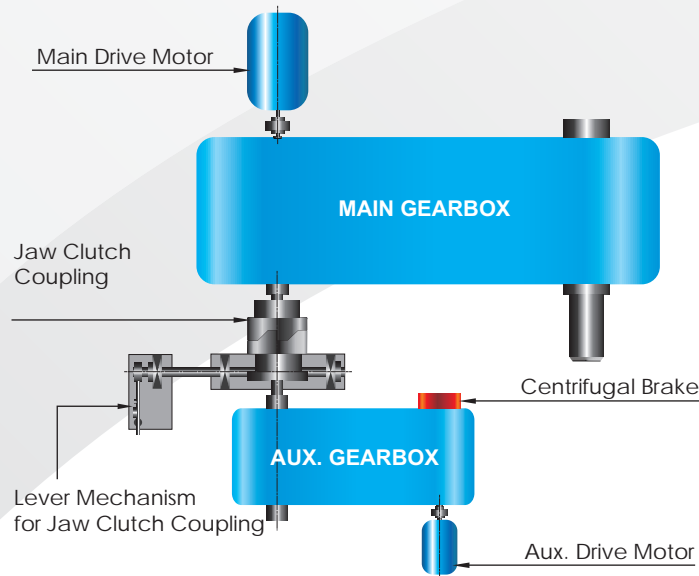
The Operating Mechanism is provided as per particular position/installation. A locking device is provided in Operating Mechanism to prevent accidental engagement of sliding half coupling.

"EPL" make Over Riding Jaw Clutch and Operating Mechanism doesn't need major maintenance if once installed correctly, however periodic lubrication, proper cleaning of sliding half side shaft is required for better operation and long life.



SIZE	HP AT 100 R.P.M.	BORE		MAX. SPEED R.P.M.	APP. WT. IN KG.	DIMENSIONS (M.M.)				
		MIN	MAX			A	B	C	D	E
EPL 5.5SJ3/CS	15	30	55	3680	18	140	90	95	30	32
EPL 6.5SJ3/CS	30	40	70	3050	30	165	100	105	35	37
EPL 8SJ3	45	35	75	2500	75	203	100	165	51	60
EPL 9SJ3	70	45	85	220	85	228	98	165	57	65
EPL 10SJ3	100	55	100	2000	110	254	119	184	57	65
EPL 11SJ3	150	75	115	1800	130	280	134	197	64	70
EPL 12SJ4	225	85	125	1600	170	305	140	197	70	74
EPL 13SJ4	300	95	135	1500	200	330	158	210	76	80
EPL 14SJ4	400	110	150	1350	220	355	165	210	76	80
EPL 15SJ4	450	120	165	1300	300	381	172	210	76	80
EPL 16SJ4	500	130	175	1200	325	406	184	222	76	80
EPL 17SJ6	550	150	200	1100	400	432	190	222	76	80
EPL 18SJ6	600	180	220	1000	430	457	200	230	76	80
EPL 20SJ6	800	180	250	1000	580	508	250	250	76	80

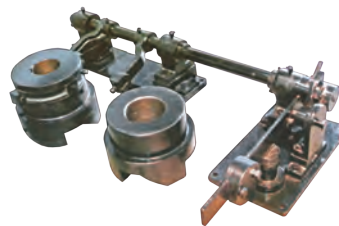
# APPLICATION-ARRANGMENT DIAGRAM OF CENTRIFUGAL BRAKE AND JAW CLUTCH COUPLING



Centrifugal Brake



Electro Hydraulic Thrustor



Over Riding  
Spiral Jaw Clutch Coupling



Electro Hydraulic  
Thrustor Brake

## Marketing & Servicing Company **EMTICI ENGINEERING LIMITED**

### REGISTERED OFFICE :

Anand - Sojitra Road, Vallabh Vidyanagar - 388 120, Gujarat, INDIA Phones : +91 269 223 0168, +91 269 223 1125 Fax : +91 269 223 6508  
Website : [www.emtici.co.in](http://www.emtici.co.in)

### NATIONAL BRANCHES :

#### AHMEDABAD :

Phone : +91 79 26406683, 26406684, 26406685  
Fax : +91 79 26401363  
E-mail: [sales@ahdemtici.elecon.com](mailto:sales@ahdemtici.elecon.com)

#### BILASPUR :

Phones : +91 7752 247723, 247625  
Fax : +91 7752 247720  
E-mail : [salesbil@bilemtici.elecon.com](mailto:salesbil@bilemtici.elecon.com)

#### INDORE :

Phone : +91 731 2558077  
Telefax : +91 731 2558077

#### MADURAI :

Phone : +91 4549 293488  
Fax : +91 4549 293468

#### NEW DELHI :

Phones : +91 11 23414340, 23414341, 23414069  
Fax : +91 11 23709046  
E-mail : [salesdel@delemtici.elecon.com](mailto:salesdel@delemtici.elecon.com)

#### ASANSOL :

Phones : +91 341 2305901, 2311726  
Fax : +91 341 2302038  
E-mail : [salesasn@asnemtici.elecon.com](mailto:salesasn@asnemtici.elecon.com)

#### CHENNAI :

Phones : +91 44 24349237, 24349497, 24322455  
Fax : +91 44 24349643  
E-mail : [salesmad@mademtici.elecon.com](mailto:salesmad@mademtici.elecon.com)

#### JAMSHEDPUR :

Phones : +91 657 2361837, 2362376  
Fax : +91 657 2464241  
E-mail : [salesjns@jmpemtici.elecon.com](mailto:salesjns@jmpemtici.elecon.com)

#### MUMBAI :

Phones : +91 22 22821315, 22820725, 22821365  
Fax : +91 22 22870791  
E-mail : [salesbom@bomentici.elecon.com](mailto:salesbom@bomentici.elecon.com)

#### PUNE :

Phones : +91 20 40191400  
Fax : +91 20 40191420  
E-mail : [salespune@puneemtici.elecon.com](mailto:salespune@puneemtici.elecon.com)

#### VADODARA :

Phone : +91 265 2312972, 23136701  
Fax : +91 265 2312982  
E-mail : [salesbrd@brdemtici.elecon.com](mailto:salesbrd@brdemtici.elecon.com)

#### BANGALORE :

Phones : +91 80 22260219, 22281834  
Fax : +91 80 22281834  
E-mail : [salesbgl@bglemtici.elecon.com](mailto:salesbgl@bglemtici.elecon.com)

#### DHANBAD :

Phones : +91 326 2230404  
Fax : +91 326 2230490  
E-mail : [salesdhn@dhnemtici.elecon.com](mailto:salesdhn@dhnemtici.elecon.com)

#### KOLKATA :

Phones : +91 33 24761861, 24760876  
Fax : +91 33 24761831  
E-mail : [salescal@calemtici.elecon.com](mailto:salescal@calemtici.elecon.com)

#### NAGPUR :

Phones : +91 712 6642600, 6642601, 6642602  
Fax : +91 712 6642622  
E-mail : [salesnag@nagemtici.elecon.com](mailto:salesnag@nagemtici.elecon.com)

#### SECUNDERABAD :

Phones : +91 40 27844748, 27845250  
Fax : +91 40 27848317  
E-mail : [salessec@secemtici.elecon.com](mailto:salessec@secemtici.elecon.com)

Manufactured by :

**ELECON PERIPHERALS LTD.**

(Elecon Group of Companies)

Post Box # 43, Anand-Sojitra Road, Vallabh Vidyanagar - 388 120, Gujarat, India.

Phones: +91 (2692) 227960, 227904, 227941, 227971, 227972 | Fax : +91 (2692) 236508 | E-mail : [info@epi.elecon.com](mailto:info@epi.elecon.com)